

# BAM

September-October 2010



Bishop Family helps out in BAM tent at State Fair

[www.bamsite.org](http://www.bamsite.org)

# Contents

**Editorial**

**5** From the Editor

**Leon, Iowa**

**6** Minutes from the September meeting.

**President Letter**

**7** President Ken Jansen

**Meeting Pictures**

**8** Pictures of Matthew Burnett and Joe Hurley demonstrations.

**Anvil Bridge**

**10** Tom Latane' makes an anvil bridge.

**Roster**

**R** 1-12 pull out section

**Shop Tips**

**12** Transporting O/A cylinders, drilling holes in handles.

**Design/Build, Gate**

**13** Chance to participate in Terrence Clark workshop.

**Callaway Co. Fair**

**14** BAM members at Callaway Co. Fair.

**ABANA**

**15** ABANA Ring project.

**Classified Ads**

**16** Buy, Sell, Trade

**Coal Map**

**18** BAM coal locations

**Scheduling**

**19** Upcoming Events

**Liberty**

**20** Directions to next meeting



*The Cover: BAM makes a showing at the Missouri State Fair. Pictures on page 9.*



September meeting trade items. page 6



ABANA letter Pg 15.



COAL locations pg 18



Meeting Map pg 20

**Newsletter of the  
Blacksmiths  
Association  
of Missouri**

*Volume 27 No. 5*  
**SEPTEMBER-OCTOBER**

**2010**  
**Editor**  
Bob Ehrenberger

**Contributing Writers**  
Larry Hults(roster)  
Tom Latane'  
Don Anders (minutes)  
Sean McGrath

**Photo Contributions**  
Bob Ehrenberger  
Kent Harbit  
Mike McLaughlin  
Sean McGrath

**President's Message**  
Ken Jansen

**Mailing Labels**  
Bruce Herzog

The Newsletter of the Blacksmiths Association of Missouri is published six times a year and is mailed to members of BAM. The annual fee for regular membership is \$25/year; a portion of this amount is for a subscription to this newsletter for one year. Editorial inquiries should be addressed to: **Bob Ehrenberger 6192 Hwy 168 Shelbyville, Mo 63469 or e-mail to bameditor@centurytel.net**

BAM membership inquiries should be addressed to: **Bruce Herzog, 2212 Aileswick Dr., St. Louis, MO 63129; (314) 892-4690 or send e-mail to bjherzog@att.net.** Occasionally some material will be copyrighted and may not be reproduced without written consent by the author. BAM welcomes the use of any other material printed in this newsletter provided the author and this organization be given credit.

## Membership Application

Name: \_\_\_\_\_  
Address: \_\_\_\_\_  
City: \_\_\_\_\_ State: \_\_\_\_\_  
Phone: (    ) \_\_\_\_\_ Zip: \_\_\_\_\_  
E-mail: \_\_\_\_\_

New Member     Renewal     ABANA member?  
How did you learn a b o u t BAM? \_\_\_\_\_

Memberships are for one year from receipt of dues. Dues are \$25, which includes a subscription to the bimonthly BAM newsletter. Please make checks payable to Blacksmith Association of Missouri.

## ABANA Membership Application

Primary ABANA Chapter Affiliation: \_\_\_\_\_  
Name: \_\_\_\_\_  
Address: \_\_\_\_\_  
City: \_\_\_\_\_ State: \_\_\_\_\_  
Phone: (    ) \_\_\_\_\_ Zip: \_\_\_\_\_

New Member     Renewing Member  
*Includes a Subscription to the Anvil's Ring and The Hammers' Blow magazines*

Regular Member.....\$55 yr.  
 Senior Citizen (Age 65+) .....\$50 yr.  
 Full time student.....\$45 yr.  
 Overseas airmail.....\$80 yr.  
 Overseas surface mail .....\$65 yr.  
 Contributory .....\$100 yr.  
 Public library .....\$45 yr.

*See reverse*

Send this form in an envelope with your payment to:

BAM,  
 c/o Bruce Herzog  
 2212 Aileswick Dr.,  
 St. Louis, MO 63129

I \_\_\_\_\_ hereby apply for membership in the Artist-Blacksmith's Association of North America and enclose \$\_\_\_\_\_ as my annual membership dues for one year.

MasterCard       VISA       Check/Money Order

Card Number

|  |  |  |  |  |  |  |  |  |  |  |  |  |  |  |  |  |  |  |  |  |  |
|--|--|--|--|--|--|--|--|--|--|--|--|--|--|--|--|--|--|--|--|--|--|
|  |  |  |  |  |  |  |  |  |  |  |  |  |  |  |  |  |  |  |  |  |  |
|--|--|--|--|--|--|--|--|--|--|--|--|--|--|--|--|--|--|--|--|--|--|

Exp. Date  
(Required)

Checks must be in U.S. currency

SEND RENEWAL TO:

**ABANA**

P.O. Box 816 Farmington, Georgia 30638

Dues Distribution:

1 year subscription Anvil's Ring: 68.5 % \$24

Adm. offices & other ABANA projects (Conferences, etc.): 31.5% \$11



**ABANA**

**Officers:**

**President**  
Ken Jansen

**1st Vice President**  
Larry Hults

**2nd Vice President**  
Ed Harper

**Secretary**  
Don Anders

**Treasurer/Membership**  
Bruce Herzog  
**Treasurer/Conference**  
Mike & Katy Camden

**Web site**  
www.bamsite.org

**Web Master**  
Ed Harper  
aramed@grm.net

**Scholarship Chair/**  
Larry Hults

**Mobile Training Station**  
Denis Yates

**Librarian**  
Karen Bouckaert

**Conference Chair**  
Joe Hurley

The Blacksmiths' Association of Missouri is an affiliate of the Artist Blacksmiths' Association of North America, and is devoted to the preservation and advancement of blacksmithing and to communication among blacksmiths in Missouri and surrounding areas. BAM's newsletter's goal is to support these aims. Letters to the editor, tech tips, tools for sale or anything else which furthers these ends will be considered for publication.

The Newsletter of the Blacksmiths' Association of Missouri and its members do not manufacture, distribute, sell, test, warrant, guarantee, or endorse any of the tools, materials, instructions or products contained in articles or features in the Newsletter of the Blacksmiths' Association of Missouri. The Newsletter of the Blacksmiths' Association of Missouri disclaims any responsibility or liability for damages or injuries as a result of any construction, design, use, manufacture or other activity undertaken as a result of the use or application of information contained in any articles or features in the Newsletter of the Blacksmiths' Association of Missouri. The Newsletter of the Blacksmiths' Association of Missouri assumes no responsibility or liability for the accuracy, fitness, proper design, safety or safe use of any information contained in the Newsletter of the Blacksmiths' Association of Missouri.

# From the Editor

By Bob Ehrenberger

This has been a mixed up summer, I'm glad that fall is here. I had a conflict with Wayne Holder's meeting so I was unable to attend.

I am glad to report that my power hammer is still running fine. Good tools are a blessing. So far the fall craft show season is getting off to a slow start. People are coming out to the events but not spending much money. I have been taking my apprentice, Thomas Ratliff, to some of the events to show him the ropes, it's a tough time to try to break into a new field.

I haven't gotten much feedback on the idea of a BAM tips book. (one comment so far) I won't have time to work on it until winter anyway.

Assuming that we will have a ring project for our next conference, I thought that it would be a good idea to try and tie the rings to past conferences. So I'm going through the old newsletters and putting together a list of past demonstrators. Most of the conferences also had BAM members demonstrate, but for this exercise I'm just listing the featured demonstrators.

## BAM Conference Demonstrators:

- 1 1992, Rob & Chad Gunther, Clay Spencer
- 2 1993, Doug Wilson, Daryl Meier.
- 3 1994, Jim Wallace, Russell O'Dell.
- 4 1995, Clifton Ralph, Clay Spencer, Bob Patrick, Jerry Hoffman.
- 5 1996, Dorthy Stegler, Bob Haverstack, Jay Burnham-Kidwell.
- 6 1997, Mike Boone, Uri Hoffi, Todd Kinnikin.
- 7 1998, John Medwedeff, Uri Hoffi.
- 8 1999, Michael Saari, Jeff Mohr, Guy McConnel & Ken Markley.
- 9 2000, Kirsten Skiles, Bill Fiorini, Tom Latane'.
- 10 2001, Bob Patrick, Susan Hutchison, Kevin Cashen.

- 11 2002, Terrance Clark, ??
- 12 2003, George Dixon, Don Fogg.
- 13 2004, Dan Nauman, Toby Hickman, Devin Thomas.
- 14 2005, Alice James, Bill Epps, Joe Szilaski.
- 15 2006, Gordon Williams, Jerry Darnell, John Fitch.
- 16 2007, Tsur Sadan & Tom Clark, Chris Winterstein, Hank Knickmeyer.



- 17 2008, Josef Habermann, Heiner Zimmermann, Bob Patrick, Darryl Nelson, Michael Bondele & Joe Bonifas, Stev Mankowski & Shelton Browder.
- 18 2009, Mark Aspery, Pat McCarty & Bob Alexander, Lucian Avery, Corrina Sephora Mensoff, Art Nernberger.
- 19 2010, Al Dippold, Doug Merkel, Clay Spencer, Andrew Dohner.

Joe Hurley is plowing ahead with the BAM 2011 Conference plans. He still needs more volunteers. If you care about BAM continuing with conferences, step up and lend a hand.

I got a call from Bob Alexander and he said that he wants to send in

the order for swage blocks and cone mandrels soon, so if you are interested don't delay in contacting him.

## Letters:

Hi Bob. Say, do you have Don Nichols Email. Or does he not have one? I made a little shear like the one in a couple of issues ago newsletter (March/April 2010) and it works so well I wanted to thank him. I have a big old shear that does not cut nearly so well in terms of efficiency, and I will try and change the linkage on it to work better. Anyhow, I thought I'd send a note to him. If you don't have his Email please thank him for me when you see him.

I used an old grader blade for the carbon steel, hardened it and drew to a dark blue. I only went up to a little over a 3/8" hole for the largest stock.. Anyway, I could hardly believe how well it works. I started it when that newsletter came, but I had other work and I just didn't get it done.

My best to you  
Bob Patrick

Good afternoon Mr. Ehrenberger!

The trade item for the November meeting will be a cook book or picture easel for using in the kitchen or displaying a family picture.

Lunch will be provided. Donations that were collected last year benefited the Good Samaritan Center in Excelsior Springs, MO. This year any donations will benefit them as well.

Scrap steel will be offered for sale again this year. A fire pit will also be donated again for the iron-in-the-hat raffle.  
Bob Evans

**The submission deadline for the November/December issue is November 13.** I'm glad to say that all of the meetings for next year are spoken for. It looks like we will cover the whole state.



**BAM MEETING FOR SEPTEMBER 2010 at WAYNE HOLDER'S** By Don Anders

A really good meeting, although it was a bit of a drive from Moscow Mills, Missouri to Leon, Iowa, about 300 miles for me and farther for Karen, she came from South St. Louis County to pick me up. Matthew Burnett and Joe Hurley put on a good demonstration with Phil Cox taking over the anvil after the business meeting. Matthew made a really fantastic leaf and Joe made a squirrel cooker, for use over an open fire. Phil Cox followed up by tying a knot in ¼ round stock. Phil said that he also ties a knot in 1 inch round stock but we could not get him to demo that for this meeting. He said that he needed his tractor to pull the knot tight, maybe another time.

**BUSINESS MEETING**

Ed Harper chaired the business meeting in place of Ken Jansen who was unable to attend the meeting.

*If you are interested in the swage block or cone mandrel group purchase, contact Bob Alexander. Bob is going to send the order in soon, so don't delay.*

Old Wood and Metalworking Machine Operators 8<sup>th</sup> event is scheduled to be in Hollister, MO on Oct. 22-23, 2010.

Design/build workshop part 1: in Lawrence, KS Oct. 9-10 for a hands on design workshop with Master Blacksmiths from Britain, Terrence Clark and Peter Parkinson. Under the guidance of these two experts, participants will design a decorative entrance gate for the Black Jack Battle Site located just East of Baldwin City, KS, with the participation of Van Go Mobile Arts students. Contact Kate Dinneen.

Treasurer's report given by Ed Harper for Bruce.

BAM membership now 554 up 6 from the last report.

Joe Hurley gave a conference committee report. Demonstrators lined up with one opening left. BAM still needs volunteers for the conference, site captain and general workers. There are fringe benefits to helping out, volunteer and find out about them. I volun-

teer every year and always have a good time.

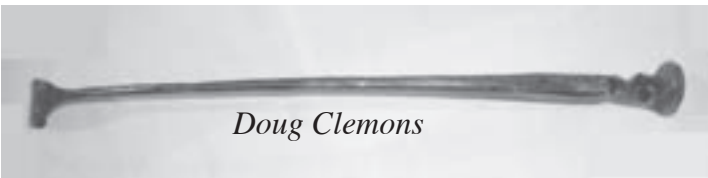
New member at this meeting Bob Simmons.

**TRADE ITEM - BACK SCRATCHER**

|                 |                  |
|-----------------|------------------|
| <i>MADE BY</i>  | <i>TRADED TO</i> |
| John Rogers     | Ed Harper        |
| Ed Harper       | Mike McLaughlin  |
| Doug Clemons    | Dale Crabb       |
| Mike McLaughlin | Doug Clemons     |
| Dale Crabb      | John Rogers      |

**IRON IN THE HAT**

|                   |                   |                 |
|-------------------|-------------------|-----------------|
| <i>DONATED BY</i> | <i>ITEM</i>       | <i>WON BY</i>   |
| John Huff         | horse shoes       | Dale Crabb      |
| Joe Hurley        | squirrel cooker   | Mike McLaughlin |
| Dale Crabb        | hammer handle     | Mike McLaughlin |
| Phil Cox          | steel knot        | Richard Kamp    |
| Joe Hurley        | box of misc bolts | Bob Simmons     |
| Don Forlow        | box of misc bolts | Mike McLaughlin |
| Matthew Burnett   | leaf              | Mike McLaughlin |
| Phil Cox          | RR spikes         | Don Anders      |



*Doug Clemons*



*Dale Crabb*



*Ed Harper*



*John Rodgers*



*Mike Mc Laughlin*

# Letter from the president

By Ken Jansen

Well I didn't get to make the meeting at Wayne's shop, I didn't get home until almost 11pm on Friday and there was no way I could have gotten up again at 3 to make the drive. I heard we had a couple neat demonstrations by Matthew Burnett and Joe Hurley, thanks for helping out guys.

This past weekend was my last scheduled demo of the year, my full time job has cancelled anything else.

There are a few events coming up in October that you guys might want to check out one is down in Arkansas and it is the "Fire on the Mountain" event put on by the Ozark Craft School I think, that is where it is at any rate. I won't make it due to my "real" job.

Another is the OWAMMO event in Branson. Again I won't make that one but it sounds cool.

I have heard that there may also be some space left in the design workshop with Peter Parkinson and Terry Clark for the Blackjack Gate event contact Kate if you are interested.

All the details for these events, is on the website so look it up if you are interested.

The next meeting is at Bob Evan's shop in Liberty and I believe he will have some scrap for sale again, I can't wait.

For those of you who have asked my wife is doing better, we are on the last version of the chemo and it is easier on her than the first one was. I appreciate all the thoughts and prayers.

I have only gotten two names on my list for the tire hammer workshop and they are Rennie Phillips, and Steve McCarthy. If we don't get more interest we may have to look at other options for this workshop. It may be something a lot more informal if the list is this short.

I haven't heard how many people Bob has on the list for the swage block and the cone mandrel.

I will try and find out so if you are interested in either contact Bob, he is also putting together the list for the treadle hammer workshop and I haven't heard how many people he has on the list.

If you haven't heard, we have a ring project and that is the Arbor that we started last year. It will be decorated with rings and with items from the Garden. We need a **LOT** of rings for this one. The sooner I get them, the sooner we can start putting them on. If there are more rings than spaces, there will be a juried exhibit at the conference and the winners put on the arbor and the rest go into the auction. I think we need something like 18 and that is only using half of the spaces.

Last is that I will be having a hammer in at my shop on black Friday so those interested in working on the arbor ring project come on over. I will have food of some sort and we will work on the arbor.

Feel free to chew me out for anything I forgot to mention.

That is all I have for now.  
Happy forging.

Ken Jansen



*Phil Cox*

*Ties a knot in a bar at the September meeting.*

# Demonstrations at September Meeting



*Top: Matthew Burnett makes a fancy leaf.*

*Side/Bottom: Joe Hurley Makes a Squirrel Cooker.*





# BAM Goes to the Fair



*Kent sent me a list of all the BAM members that helped out at State Fair. There were so many of you (45) that if I had published the list, there wouldn't be room for pictures. Needless to say BAM was well represented.*



# Anvil Bridge

by Tom Latane'

With the help of Louie Fisher, who works in my shop one afternoon a week, I recently made a tool for which I have felt a need for some time.

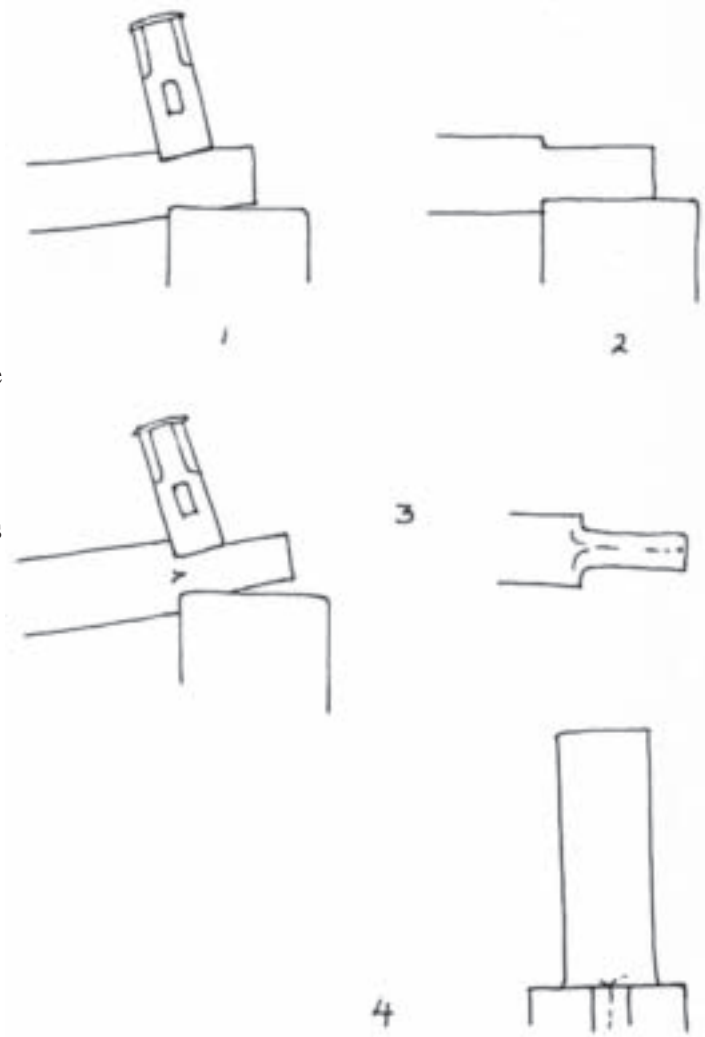
The forging of hinges and other scrollwork with chisel-split branches has always been difficult. Using the edge of the anvil has meant spreading the split members ninety degrees apart for dressing, then working them back together at the desired angle. Working over a tinsmith's hatchet stake held horizontally in the vise always involved a lot of repositioning the stake after hammering.

We began with a piece of leaf spring three inches wide and a half-inch thick.

1. Using a set hammer over the edge of the anvil, we created shoulders establishing the top of the tenon.
2. The remainder of the tenon was forged to the depth of the shoulder,
3. This was repeated several times until the width of the tenon had decreased to an inch and the thickness increased to an inch. Some upsetting can be done if the thickness does not increase enough. Longitudinal folds do not compromise the strength of the tenon.
4. With the tenon fit to the hardy hole, the material was cut to a convenient length and the shoulders upset to seat well on the anvil face.



An anvil bridge provides the acutely angled edge backed up by the mass of the anvil. I designed mine to have one edge beveled like the hatchet stake, one square edge, and a small spur with a longer taper. I considered making the spur a small square horn but thought that the thinner edge might be handier when this tool was in use.



*Reprinted from: The Metalsmith June 2010  
Newsletter of the Guild of Metalsmiths*

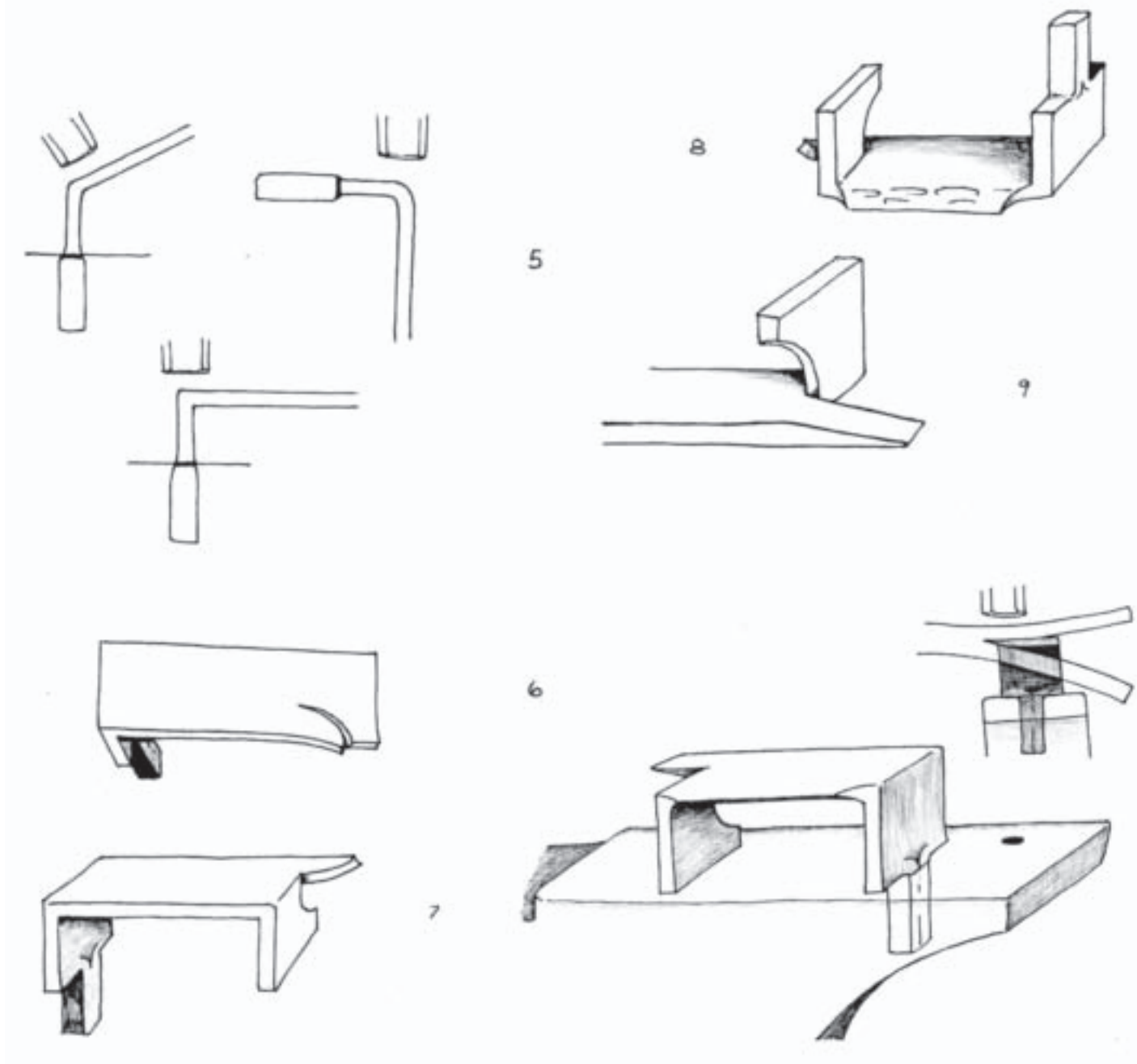
5. The next step was to forge a right angle bend, toward the horn, about 2 1/2" above the anvil surface.

6. I marked a spot 2 1/2" from the far end and chisel cut the spur away from the side which would not be beveled. The spur was short, leaving a full width at the end for the foot.

7. A second right angle bend was then formed, leaving the spur material in the same plane as the bridge top. The foot was then upset or drawn out to create a level bridge top and solid contact for the foot.

8. A cross pein hammer was used to draw out the edge of the bridge with as little gain as possible in length. A curve in the bridge top resulting from stretching of the beveled edge can be corrected by upsetting the beveled edge from the ends or drawing out the opposite edge.

9. When the heavier forging was all done and the bridge was adjusted to sit solidly once again on the anvil face, the curved end of the spur was cut and it was forged to the desired taper. The bridge was not hardened or tempered.





## Hauling Welding Cylinders?

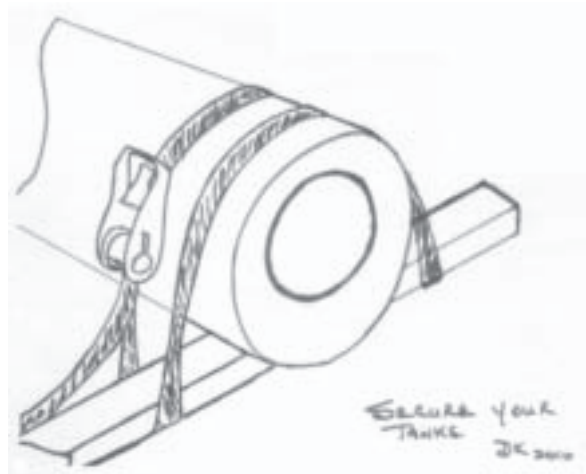
By Doug Kluender

Reprinted from "The Anvil's Horn"  
September 2010  
The Arizona Artist Blacksmith  
Association.

Has this ever happened to you?

You run out of gas in the middle of a job and decide to go the welding supply to get your cylinder filled. You load it in the truck and tie it in as best you can. About the second corner you hear "clunk, clunk, BAM" and feel the truck take a 6" sideways hop—the result of the cylinder coming loose from its bindings.

This solution requires a piece of scrap tube or bar '20" -40" long and a tie down strap. Of course it works best if you have a non-slip rubber mat in the bed of your truck.



## Shop Tip, Drilling holes in a handle. By Bob Ehrenberger

I hate it when I try to drill through a handle and I don't get it exactly in the center, or when I have to drill half way from each end and the two holes don't meet up.

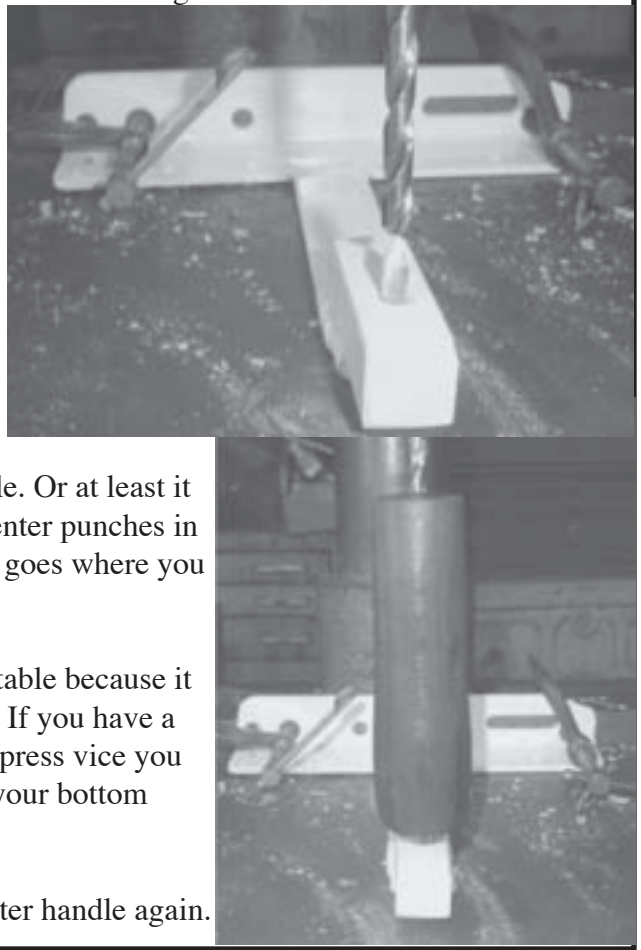
I got this idea from an old Bill Moran knife making video. He uses it to drill through irregular handles like a curved piece of stag.



If the point is lined up with the drill bit it has to go through the center of the handle. Or at least it will line up the two center punches in the handle so the hole goes where you want.

I clamp my jig to my table because it isn't slotted for a vice. If you have a slotted table or a drill press vice you can use them to hold your bottom point in position.

Never have an off center handle again.





# DESIGN/BUILD WORKSHOP: PART 1

- Join us in Lawrence, KS, the weekend of Oct 9-10 for a hands-on design workshop with Master Blacksmiths from Britain, Terrence Clark and Peter Parkinson. Under the guidance of these two experts, participants will design a decorative entrance gate for the Black Jack Battle Site located just east of Baldwin City, KS, with the participation of Van Go Mobile Arts students. This extraordinary workshop will include:

- A visit to the historic site, • A presentation by the Van Go artists on the human and natural history of the site to give more possible design ideas to participants, • Time to draw individual designs with help from Terrence and Peter, • Group discussion of all the designs created and how to use them to create a gate for the site. This will be a friendly group, expert drawing ability is definitely NOT required!!

Date: Saturday, October 9, 2010 and Sunday, October 10, 2010 Place: Lawrence and Baldwin City, KS Time: Sat. 9am-6pm, lunch will be provided and Sun. 9am-noonish Cost: \$50

- For further information or to sign up please contact Kate Dinneen at [kld310@earthlink.net](mailto:kld310@earthlink.net) or home phone 785-841-6271. There is also some more information on the Black Jack site and about the plan at [www.black-jackgate.wordpress.com](http://www.black-jackgate.wordpress.com) . I will be adding information to that blog in the next days and weeks.

Sat Oct 9:

- Introduction of Terrence and Peter including some photos of their work. • Introduction of the concept of the project. • Visit to the Black Jack site, to look, measure and have a chance for everyone to see the place. • Return to the workshop space for discussion on the site, the historical significance. This discussion will be led by Kate Dinneen and the Van Go artists. • Next Terrence and Peter will lead a discussion on the design of gates, various options, concepts. Then a bit on the design process and all the questions involved including the practical-how tall? how wide?-and the more esoteric-what do we want it to say about the place? • Finally participants will be asked to draw thumbnail sketches based on everything they have learned from the site visit and the discussions.

Sun Oct 10:

- Finish up drawings, pin them all up and discuss them, asking individuals to talk about their drawings. The plan is to come up with a group consensus for a design which we will all feel happy about, which is exciting, stunning and attainable. Peter will take the ideas and draw up a working design for PART 2 of the DESIGN/BUILD WORKSHOP which will take place in May of 2011, once the funding comes in!

This event is hosted by the Black Jack Battlefield Trust, Hot Flash Metalwork and Walt Hull Ironwork.

Thanks and I look forward to seeing you in Oct.!

Editor's Note: I know that this will be too late for most of you, but maybe some of you will get your newsletter in time to sign up. You should also be planning ahead for the Build Workshop next May, contact Kate if you want to get involved.

# BAM at the Callaway Co. Fair

Bob, here are a few photos I took while Ned, Mike, and the other guys did their demonstration at the Callaway County Fair. Other than Mike and Ned, I have forgotten the other guy's names. I do remember that the younger fellow that is forging the RR-spike knife is a Shop Class teacher at one of the Jefferson City high schools.

I think Ned was a little disappointed because there were very few spectators. There are very few people on the Fairgrounds in the early mornings. I think they plan on trying it again next year in the afternoon when the crowds normally start showing up.

Sean McGrath





Artist-Blacksmith's Association of North America, Inc.  
ABANA Central Office  
15754 Widewater Drive, Dumfries, VA 22025-1212  
Phone: 703-680-1632 Fax: 703-680-6222  
abana@abana.org · www.abana.org

Well friends, we made it. After 4 years, ABANA held a conference and it was a very successful one. There are always things to learn; there are always things to do better. But it is now clear that we accomplished what we set out to do – hold a conference focused on education and the basic elements of the craft without a lot of fluff or unnecessary expenditure. We had over 900 folks at the conference including about 250 family members.

I am happy to report that we cleared over \$90K from the conference including the auction plus about \$10K from Iron in the Hat. Thanks to all who participated and particularly to those affiliate groups who helped us with seed money and the talented artists and craftsmen who donated items to the auction.

Of course the next question that naturally comes up is “what are you going to do with all that money?” Let me assure you that the Board will be very careful to use it wisely. And the first thing we will do is to save enough for seed money for the 2012 conference in Rapid City. Second, we plan to make selective upgrades to the equipment and tools we have to put on conferences. Other projects of a strategic nature are being defined.

The Iron in the Hat net proceeds will go exclusively toward our scholarships and grants programs. By the way, we are in the midst of re-working the Educational Trust governing documents to bring them into compliance with recent changes in the laws of Georgia that apply to such trusts. Once that is done we will look into updating the guidelines and limits for these programs.

In other news, we welcome Bill Clemens to the

board. Bill was very helpful in the operation of the gallery at the conference. Bill is also a recipient of ABANA's Joe Humble award for Affiliate Newsletter Editors. Bill will serve the remainder of Steve Williamson's term. We also thank Steve for his service, specifically for coordinating the gallery submission process.

Elsewhere in this issue you will find lots of conference coverage including images of exciting new work. Some of these artists were not on the scene at all when we had our last conference. This is great because it demonstrates the continuing vitality of our craft.

Please participate in the election of members of the board that is included within the pages of this Anvil's Ring. It is vitally important that the members take part in this important process. The Board sets the strategy for ABANA and carries out many of its programs. If you don't vote you don't get to complain.

Finally I have to urge you to renew your memberships and to urge your friends to join as well. The day-to-day operation of the organization depends on dues revenue not conference proceeds. The Board has held the line on the dues we charge but that can continue only if we can recruit more members. Please help spread the word.

Regards,  
Paul Boulay



# Buy, Sell, Trade

## Individual Classified ads

**For Sale:** 4- Platten tables 3'x3' \$200/ea. 1- Miller 400amp Diesel Welder /w factory air comp. 1084hrs \$4500. 2- coal forges /w hand blowers \$400/ea. 1- antique RR coal forge \$400, 1- European swage block & stand \$450. 2- sml post vices \$75/ea. 2- lg post vices - Indian Chief \$350/ea. 1- Tinner's Anvil \$300. 2- Peter Wright anvils \$350 & \$400. 1- Metal Ace- lg English wheel w/ all anvil wheels & forming dollies \$3000. 2- Victor track torches \$300/ea. 5- steel trusses 55'-0" \$2000. Tony Parra Bonner Springs, KS. 913-208-8831.

Buffalo pan forge rectangular (no exact size but probably 2 by 2.5 feet is the norm, It has a separate blower that is currently locked up. Anvil (no weight) but it is 22 inches long and about 5 wide. Finley Jennings Crane MO 417-369-2993

**Forge for Sale** Here is a link to a web site that shows the forge and lots of other tools. Lawrence, KS  
<http://gallery.me.com/bettyparks/100255>  
Merle Parks <<mailto:merleparks@sunflower.com>>

**For Sale: Little Giant 50**, I have one that is in top condition... has low hours and was rebuilt by Sid. I also have a lot of specialized dies that I made for it. I can send pictures if anybody is interested. James R. Johnson [www.anyangusa.net](http://www.anyangusa.net)  
[www.johnsonmetalsmithing.com](http://www.johnsonmetalsmithing.com) 940 6274529

**For Sale:** I have a pile of old blacksmith forged parts, wagon parts, axles, and miscellaneous cast and hand forged wagon fittings. I would like to see \$100. for the whole pile. Some of the pieces can be seen at my web site at <http://johnmaciver.tripod.com/id4.html> e-mail [maciver.john@gmail.com](mailto:maciver.john@gmail.com) or 573-286-5455. John MacIver Stover, Missouri.

## Commercial / Resource ads

### Services:

**Beverly Shear Blades Sharpened.** Remove blades from shear and ship to Clay Spencer, 73 Penniston Pvt. Drive, Somerville, AL 35670 \$35 plus postage, additional cost for deep notches or blades previously sharpened at angle.

**Custom spinning** in copper, brass, pewter, and steel. Contact Ken Markley, 7651 Cabin Creek Lane, Sparta, Ill. 62286. Phone: (618) 317-1958 Fax: (618) 443-5284

**Little Giant--** We can do repairs on any or all components of your Little Giant front assembly. Contact H. "Sid" Suedmeier 420 4th Corso, Nebraska City, NE. 68410 (402) 873-6603

**Roller Blade Treadle Hammers** (Clay Spencer design) for Sale or Workshops led to build hammers. Bob Alexander, e-mail to [scruboak4@netzero.com](mailto:scruboak4@netzero.com), or call 636-586-5350.

## Information / Education

**Tong Making Class--Weekend Course** 4 people per class - \$125 per person Contact: Charles Comstock Rt.1 Box 20, Deerfield, MO. 64741 (417) 927-3499

Back issues of Jerry Hoffmann's **Blacksmith's Journal**, Call 1-800-944-6134 for more information.

**Classes offered**, The Ornamental Iron Shop  
Contact the instructor to register and customize your class.  
John D. Thompson – Metalsmith  
3923 Hwy 25; Hodges, SC 29653 864-374-3933

**Classes** at Pieh Tool Company, Inc. - Camp Verde, AZ  
The Bill Pieh Resource for Metalwork.  
Call now for more information and to enroll:  
(928) 554-0700 or (888) 743-4866. [www.piehtoolco.com](http://www.piehtoolco.com).

The Upper Midwest Blacksmiths Assoc (**UMBA**) **video library**. An index list can be viewed at [www.umbaonline.org](http://www.umbaonline.org)  
They are VHS or DVD-R Cost is \$5 each with \$2 per order shipping There is no return date, you keep the video for this price. All videos are made at group demos, no commercial titles.

### Blacksmithing E-books on CD

Now eight titles are available on CD, \$4/each, or all eight books, \$24 postpaid. More books are in production and will be available soon- order on-line at [www.blacksmithingebooks.com](http://www.blacksmithingebooks.com), or check/MO to Brian Gilbert, 3404 Hartford Dr., Chattanooga, TN 37415.

### Ray Clontz Tire Hammer Plans by Clay Spencer

Price is \$30US including postage to US and Canada, \$32US to other countries. Send check or money order 73 Penniston Private Drive, Somerville, AL 35670, Also, lead workshops for chapters or groups to build 15 to 20 hammers. phone 256 498-1498, cell is 256 558 3658, email is [clay@tirehammer.com](mailto:clay@tirehammer.com)

### New England School of Metalwork

[www.newenglandschoolofmetalwork.com](http://www.newenglandschoolofmetalwork.com)  
1-888-753-7502

**Blacksmithing classes**, Arrowhead Forge, Buffalo, Wyoming.  
David W. Osmundsen 47 N. Lobban, Buffalo, WY. 82834  
[www.arrowhead-forge.com](http://www.arrowhead-forge.com)

## Products

**Heavy duty Frying Pan Blanks:** Steel, approximately 9 inch in diameter with 2 inch sides. 12 gauge (2.5 lb.) or 14 gauge (1.75 lb.) thickness. Contact: Bob Tuftee, 3855 Aspen Hills Dr., Bettendorf, IA 52722; [bobforge@hotmail.com](mailto:bobforge@hotmail.com); (563) 332-4800.

**Scrub Oak Forge:** We still have the SayMak air hammers from Turkey, the Ozark Pattern anvils, and hand hammers. For more info on the tools contact Bob Alexander at 636-586-5350 or [scruboak4@netzero.net](mailto:scruboak4@netzero.net)



## Buy, Sell, Trade, Continued

**L Brand Forge Coke** now packaged in 50 pound bags, 1,000 pound bulk sacks on pallets and 2,000 pound bulk sacks on pallets. Send your zip code for a quote on price including delivery. 1-678-360-3521 or [LBrandForgeCoke@aol.com](mailto:LBrandForgeCoke@aol.com).

**Kayne and Son** Custom Hardware, 100 Daniel Ridge Road, Candler, NC 28715. (828) 667-8868 fax (828) 665-8303, e-mail: [kaynehdwe@charter.net](mailto:kaynehdwe@charter.net), web site: [www.blacksmithsdepot.com](http://www.blacksmithsdepot.com). Offering a full line of blacksmithing equipment. We ship and accept Visa and Mastercard.

D.L. Schwartz Co. **Blacksmith and Farrier supplies**.  
2188 S. US 27, Berne, In. 46711, 1-800-955-3064

Persimmon Forge **PEDAL HAMMER** sit down treadle hammers for sale. Contact Dave or Betty Edwards by e-mail at [djedwards@cableone.net](mailto:djedwards@cableone.net), or write us at 3008 Hacienda Ct., Emporia, Ks., 66801, or call us at (620) 343-1947. For more information, go to [www.persimmonforge.com](http://www.persimmonforge.com) and click on both "Pedal Hammer" and "Video Demo of Pedal Hammer."

**SOFA fire pots** are once again available. For information contact Bob Cruishank, 1495 W. Possum Rd., Springfield, OH. 45506 Phone: (937) 323-1300 or [www.creativeironforge.com](http://www.creativeironforge.com) or [www.sofablacksmiths.com](http://www.sofablacksmiths.com)

Chile Forge- Next generation **gas forges**  
[www.chileforge.com](http://www.chileforge.com) David Starr 520/360-2141

USA Dealer for **REFFLINGHAUS ANVILS**, 77 to 1250 lb. European 2 horn with or without upsetting block & side shelf. Over 100 sizes and styles available. Guaranteed face @ HRC59 Dick Nietfeld [www.blksmith.com](http://www.blksmith.com) Phone (308) 384 1088

### Wanted:

#### Demonstrator wanted:

Demonstrator needed for a reenactment  
Boonsville, MO June 17,18 2011  
Contact: Charles Straatmann 573-230-1249  
or e-mail at: [C.Straatmann@gmx.com](mailto:C.Straatmann@gmx.com)

#### Demonstrator List

Fred Weisenborn has started a list of members available for demonstrations, fairs, historic events, and festivals, etc.  
417-589-2497 e-mail: [jweisenb@llion.org](mailto:jweisenb@llion.org)

**Around the Anvil** BAM has it's very own E-Mail news group. If you would like to participate send an E-Mail to Ed Harper at [aramed@grm.net](mailto:aramed@grm.net) and he will get you signed up.

### ConferenceUpdate:

SEPTEMBER-OCTOBER 2010

The 2010 conference logo & t-shirt design contest winner will receive a hat & t-shirt. Winners will be voted on by conference committee, Send entries to Joe Hurley RR1 box 50 Downing, Mo. 63536 deadline for entry is Dec 31st 2010.

Ken is running the BAM conference project this year see his letter on page 7 for details.

Also, it is never too early to start making items for auction & boutique.

Thank You, Joe Hurley

# SAVE THE DATE!!!!



*Blacksmith Association  
of Missouri*

ANNOUNCES

**20<sup>th</sup> Ozark  
Conference**

**“THE BEST OF  
BAM”**

**APRIL 28<sup>TH</sup> – MAY 1<sup>ST</sup> 2011**

Watch for information at  
[bamsite.org](http://bamsite.org)

[bamsite.org](http://bamsite.org)

# Need Coal ?

## Check on Availability

Coal Captain: Bob Alexander



1. Bob Alexander (636) 586-6938  
14009 Hardin Rd,  
DeSoto, MO. 63020

2. Ken Jansen, (636) 366-4353  
2257 Charter Rd.,  
Moscow Mill, MO. 63362

3. Doug Clemons, (660) 595-2257  
RR1 Box 124,  
Malta Bend, MO. 65339

4. Jerry Rehagen, (573) 744-5454  
390 Bozina Valley Trail,  
Freeburg, MO. 65035

5. Jeff Willard, (417) 742-2572  
P.O. Box 416,  
Willard, MO. 65781

6. Joe Hurley (660) 626-7824  
Rt1 Box 50  
Downing, MO. 63536

7. Paul Lankford, 573-473-7082  
25849 Audrain Co. Road 820,  
Mexico, MO 65265

8. Bob Maes, 573-866-3811  
Rt. 1 Box 106 K  
Millersville, MO. 63766

Price \$13.00 per bag BAM members, \$14.00 per bag Non-members, \$11.00 per bag at Bob Alexander's  
Coal keepers earn \$3.00 a bag

A. Non BAM coal \$.40/lb check \$.35/lb cash, bring your own containers. Tim Johnson Springfield, MO 417-886-8032.

# Upcoming Events

October 1 - Application deadline for November Scholarship awards.  
October 9 Ozark Folk center Hammer-in, Chris Padelford 479-244-0272  
October 22nd and 23rd, OWAMMO's Gathering (some kind of old tool group) Branson, MO., Dan Wyatt  
mailto:oldtriumphs@hotmail.com or go to http://www.owammos.com  
November 6 - **BAM meeting**, Bob Evans Liberty, MO 816-781-5717  
November 6 - Fire Fest 010 New Haven, MO, contact David Smith 573-659-5601, email: dlssmith@fidnet.com  
**November 13 - Newsletter submission deadline**  
January 1 - Application deadline for February Scholarship awards.  
January 22, 2011-BAM meeting, John Murray, New Melle, MO 636-389-4640  
March 2011-BAM meeting, Fred Warner, Wheeling, MO 660-659-2406  
April 1 - Application deadline for May Scholarship awards  
April 29 - May 1 -**BAM Ozark conference**, Sedalia, MO contact Joe Hurley at acornridge3@yahoo.com  
May 2011-BAM meeting, Chris Miller, Doniphan, MO 573-996-4931  
July 1 - Application deadline for August Scholarship awards.  
July 2011-BAM meeting Ned Digh  
August -2011 Missouri State Fair Sedalia, MO contact Kent Harbit (660)-647-2349 to volunteer  
September 10, 2011- BAM Meeting, Bob Ehrenberger, Shelbyville, MO. (573)-633-2010  
November 2011 - BAM meeting Don Nichols  
January 2012-BAM Meeting A & K Cooperage, Higbee, MO

## New Members

If you have a new member near you, welcome him to the group and show him the ropes.

Azevedo, Chris  
30 N W 225 Road  
Warrensburg, MO 64093  
azevedo@ozarksarsenal.com  
660-747-8989

Bornhauser, Chuck  
HCR2 Box 2609  
Vanburen, MO 63965  
chuckb@semo.net  
573-323-4306

Buckner, Luke  
H.C. 64 Box 99  
Thayer, MO 65791  
417-264-3540

Eickhorst, Bill  
1538 South Summit Drive  
Holts Summit, MO 65043  
pastoreick@mchsi.com  
573-690-5085

Heersink, Jeff & Steph  
354 F Avenue  
Alta Vista, KS 66834  
biffedog@fhrd.net

Helm, Josh  
980 NW 1101 st Road  
Odessa, MO 64076  
dirtracer\_racereight@yahoo.com  
816-682-6559

Hetzel, Karl  
211 E 4th Street  
Hermann, MO 65041  
573-644-3682

Hodgeman, Dan  
P.O. Box 351  
Versailles, MO 65084  
shodgeman57@gmail.com  
815-520-0077

Howe, Jim  
405 Silverwood Circle  
Branson West, MO 65737  
HoweJ@suddenlink.net  
417-337-5179

Kostelecky, Nathan  
923 Pike Street  
Saint Charles, MO 63301  
nak3nc@mst.edu

Lawrence, Robert  
1003 North Second Street  
St Charles, MO 63301  
americanironco@sbcglobal.net  
636-949-0271

McIndoo, Douglas  
772 NW 871 Road  
Centerview, MO 64019  
n4rzb\_douglas@juno.com  
660-262-2743

McIndoo, Andrew  
776 NW 871 Road  
Centerview, MO 64019  
centerplacezion\_  
deborah@juno.com  
816-633-8605

Mitchell, Debra  
500 E 2nd Street  
Appleton City, MO 64724  
delom59@hotmail.com  
660-679-1443

Morgan, Bob  
29803 Old Pink Hill Road  
Grain Valley, MO 64029  
morganknives@yahoo.com  
816-668-4056

Nation Ornamental Metal  
Museum,  
374 Metal Museum Drive  
Memphis, TN 38106

Rogers, John & Rosa  
5817 N.E. 132nd Street  
Kansas City, MO 64166  
jgrogers001@earthlink.net  
816-792-2730

Steger, Tyler  
902 Leone Avenue  
Sedalia, MO 65301  
660-829-1284

## **BAM**

2212 Aileswick Dr.,  
St. Louis, MO 63129

Please send changes to Bruce Herzog, 2212 Aileswick Dr., St. Louis, MO 63129 or e-mail to [bjherzog@att.net](mailto:bjherzog@att.net)

## **Next Meeting: November 6 Liberty, MO**



### **Location:**

Shaped Steel, INC.  
3000 E. Heartland Drive

**Host:** Bob Evans

### **Trade Item:**

Stand to display a cook book or photo.

**Food:** lunch will be provided, please call to confirm attendance so that we may get an accurate count for lunch. thanks!

\*\*\* There will be an opportunity to buy steel remnants.

Phone: 816-781-5717

### **Directions:**

From: I-70 East & West  
take HWY 291 North to Liberty, MO.,  
Stay on HWY 291 TO I-35 Junction,  
Take I-35 North to exit 20 HWY 69 North (next exit), go straight on 69 HWY,  
at next stop light take right Heartland drive,  
at stop sign take left,  
we are second building on right

From: North  
I-35 south to exit #20  
take left at bottom of ramp  
next light take left onto hwy 69 north  
next light take right on heartland drive  
left at stop sign  
second building on the right